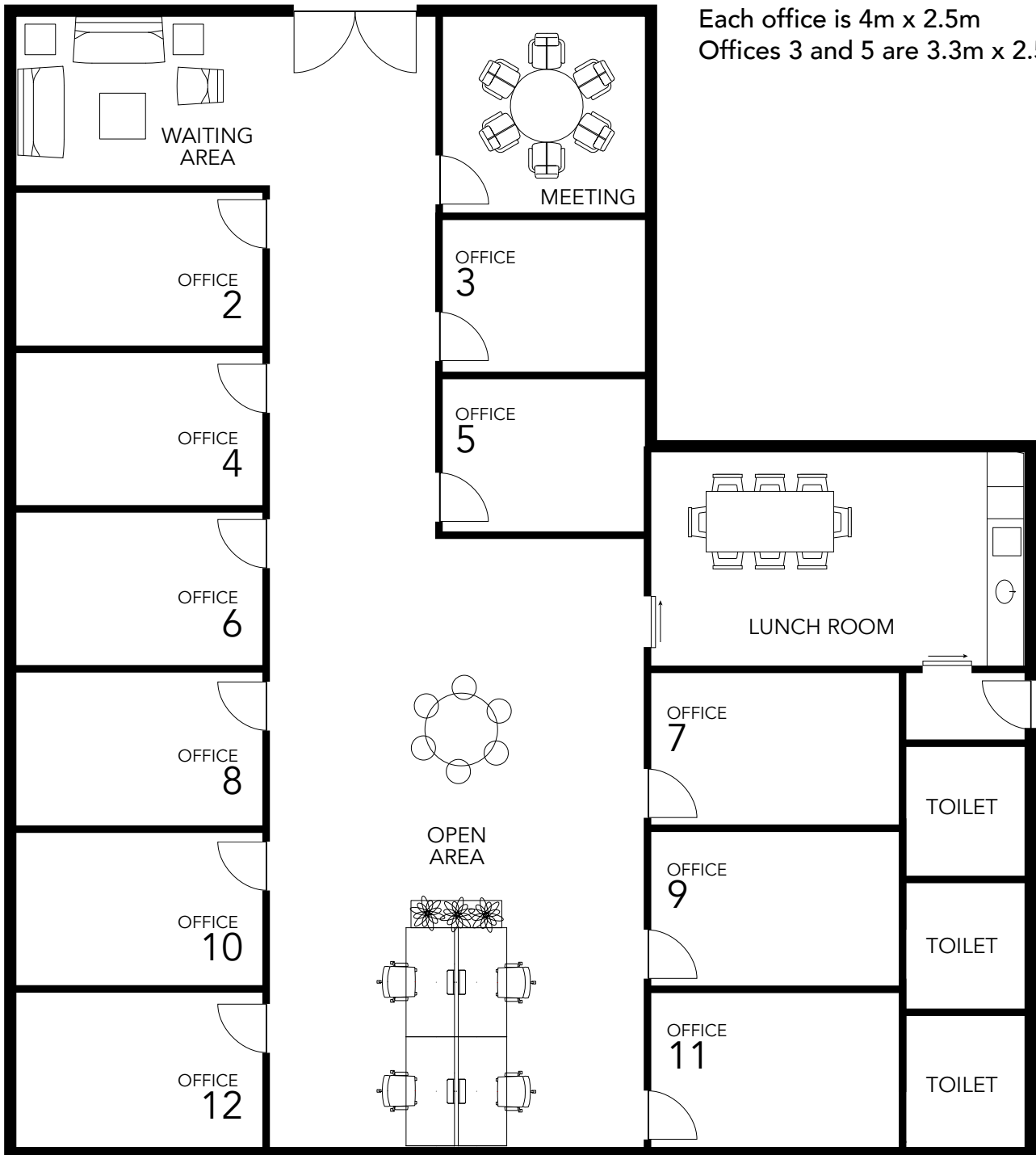


PALMSPACE

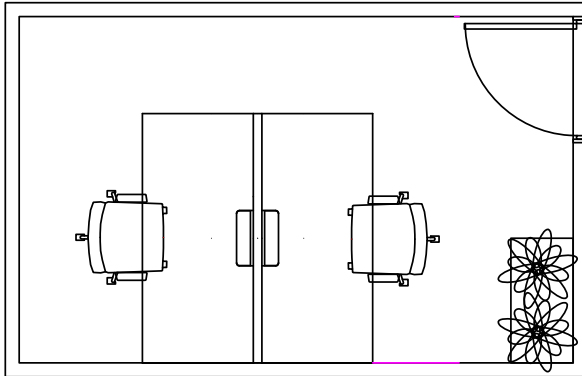
4343 NORTH ROAD, GLENDENE



Each office is 4m x 2.5m
Offices 3 and 5 are 3.3m x 2.5m

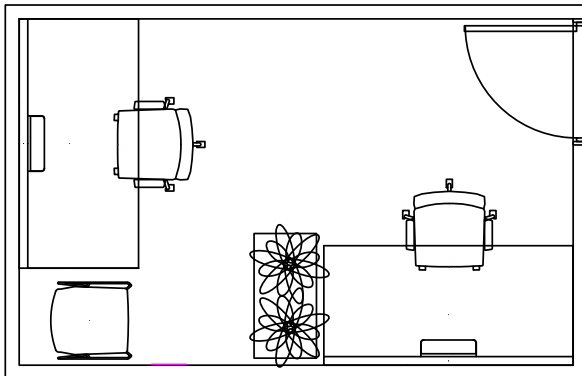
PALMSPACE

4343 NORTH ROAD, GLENDENE



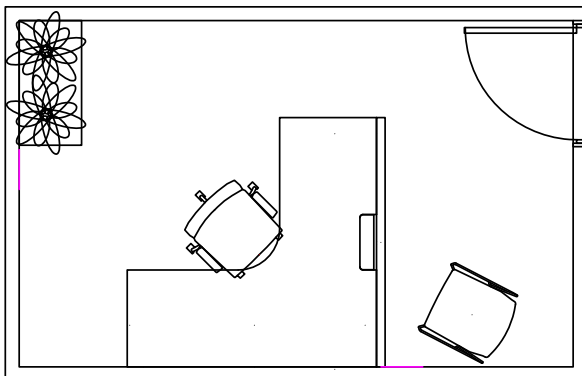
OFFICE LAYOUT

A



OFFICE LAYOUT

B



OFFICE LAYOUT

C